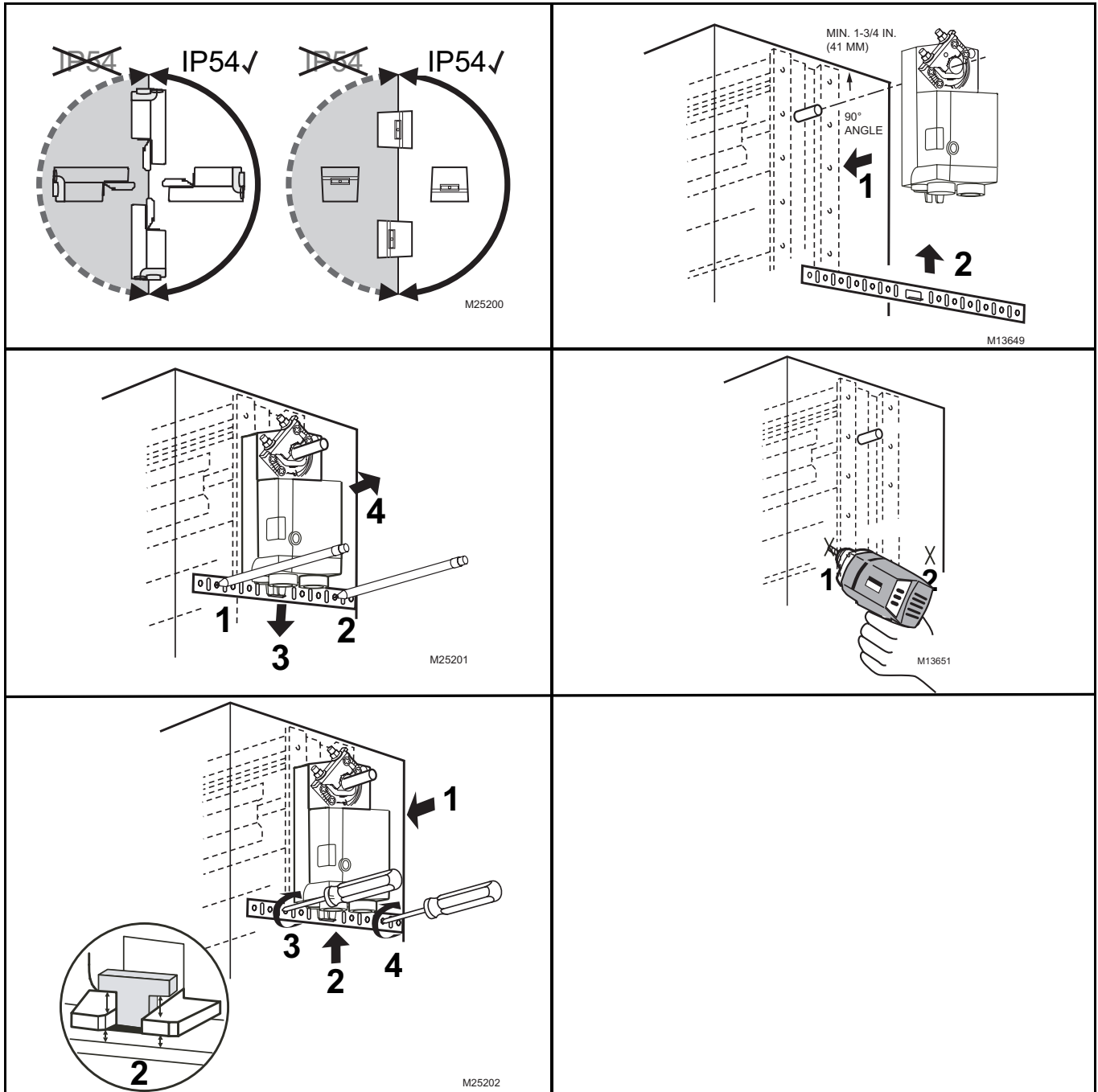


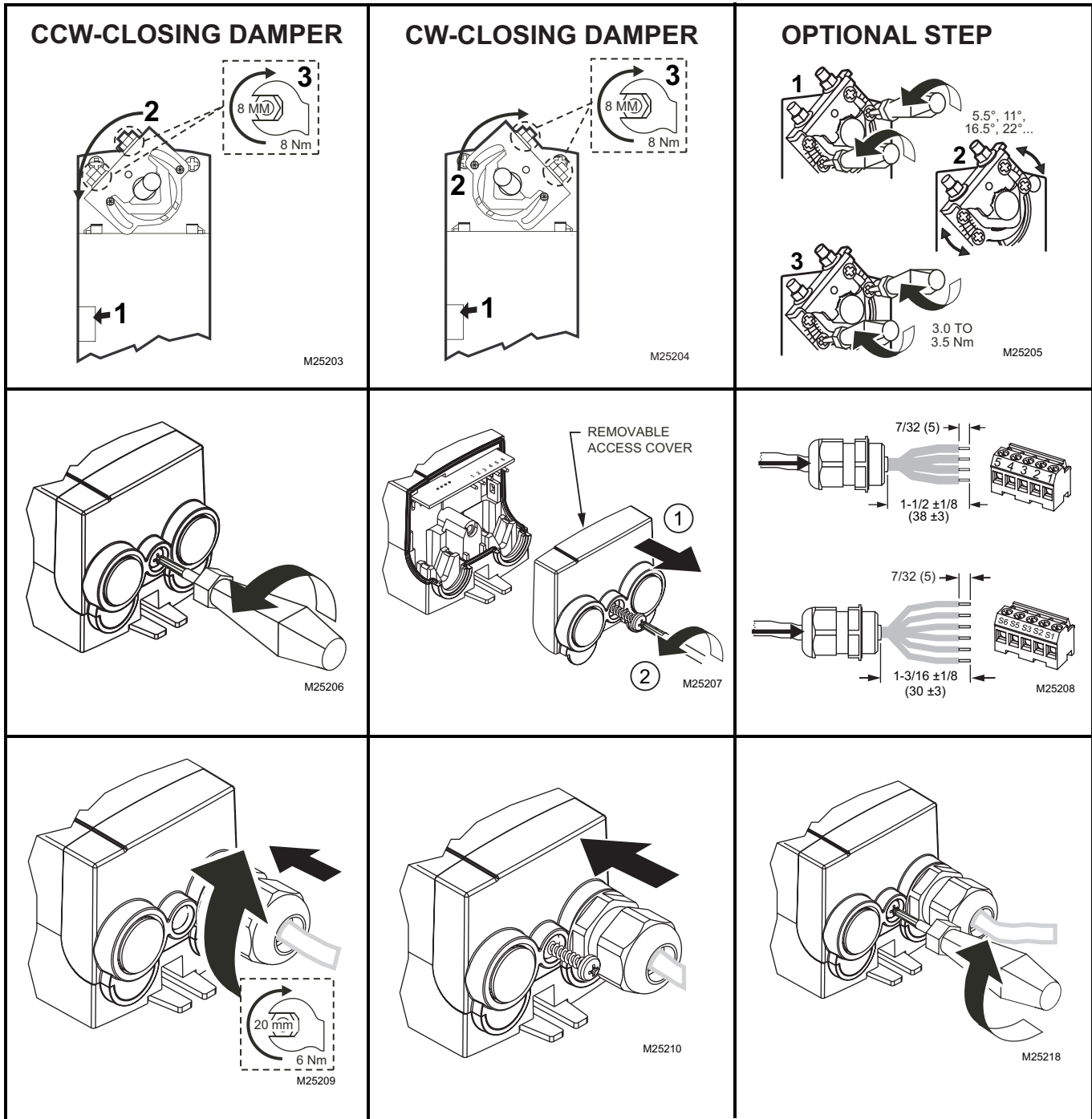
## MN6105, MN6110, MN7505, MN7510 Non-Spring Return Direct Coupled Actuators

### INSTALLATION INSTRUCTIONS

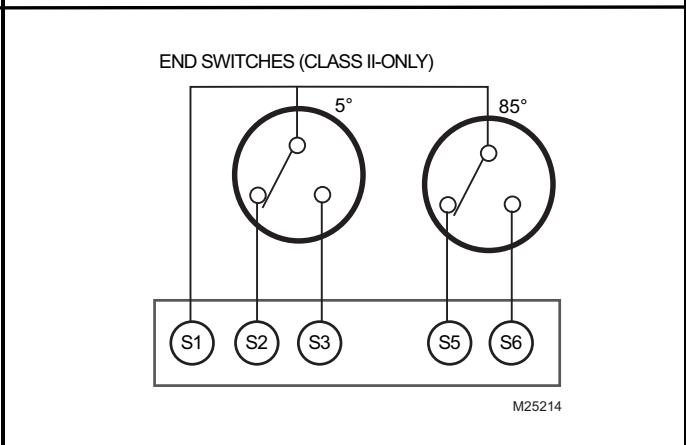
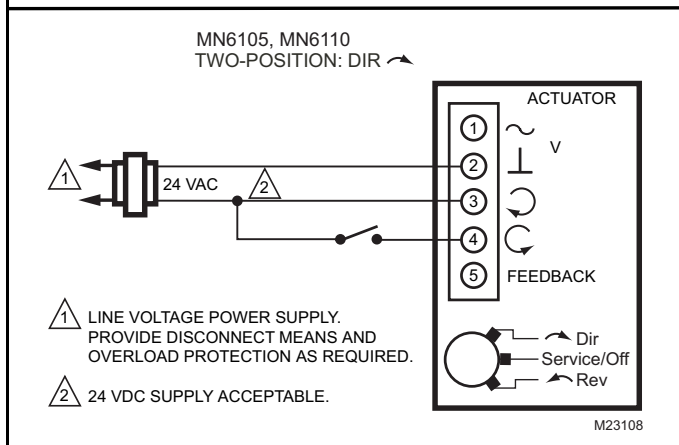
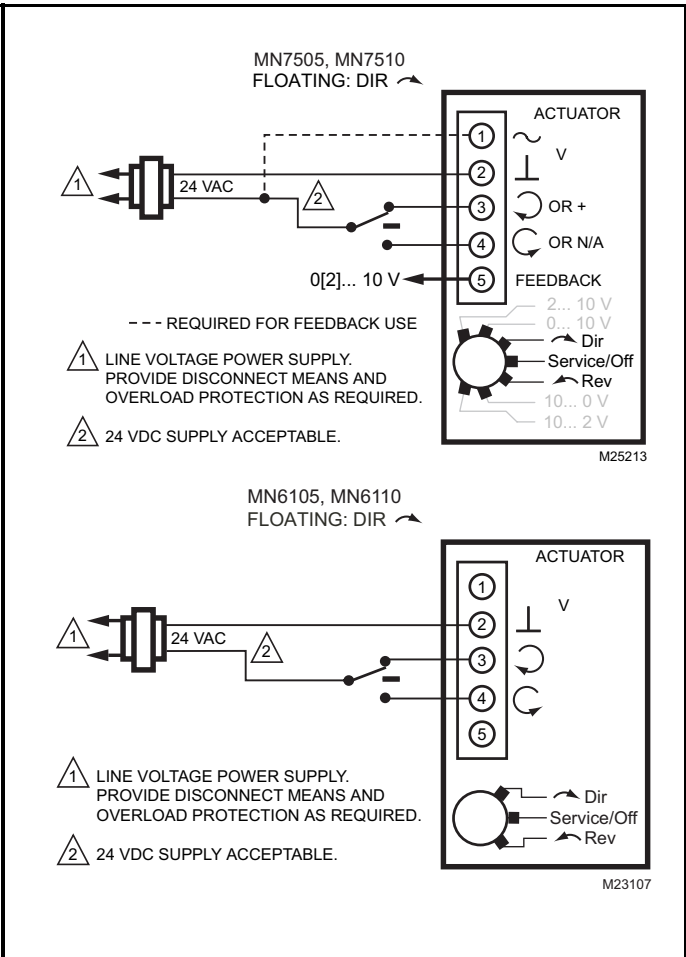
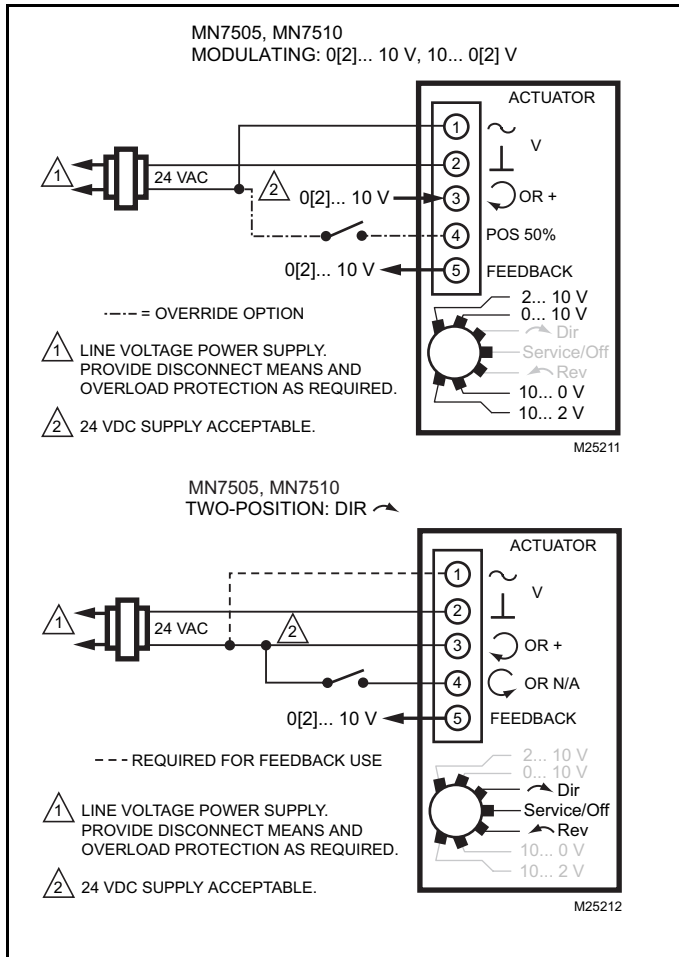
Disconnect power before installation.



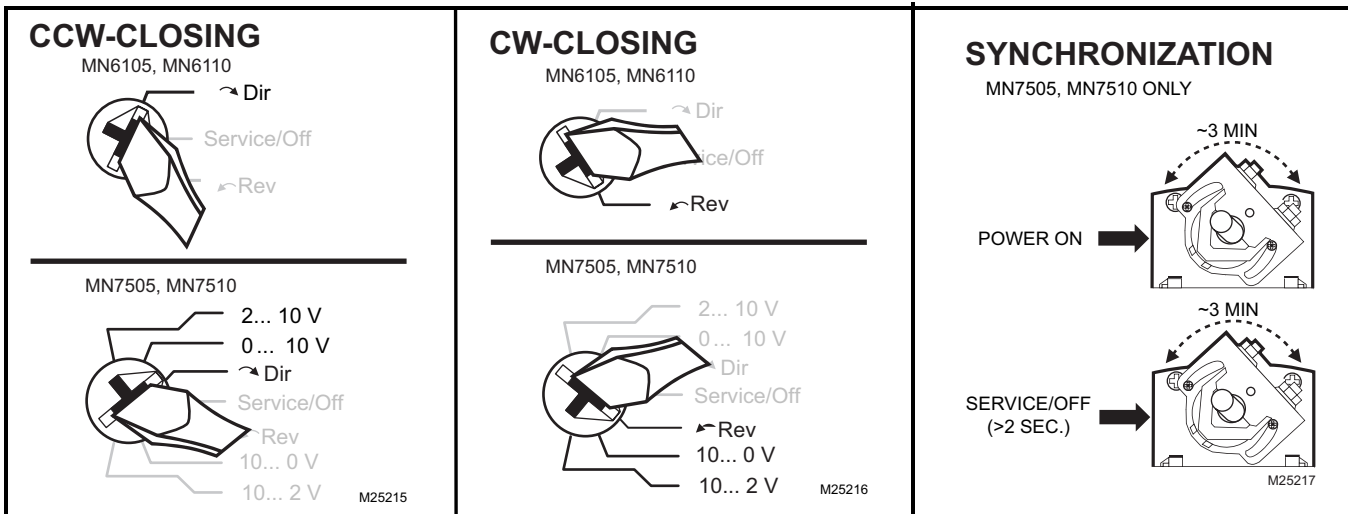
## Mounting on Counterclockwise (CCW) or Clockwise (CW) Closing Damper



# Wiring



## Adjusting for Counterclockwise (CCW) or Clockwise (CW) Closing Damper/Synchronization



### Automation and Control Solutions

Honeywell International Inc.  
1985 Douglas Drive North  
Golden Valley, MN 55422

Honeywell Limited-Honeywell Limitée  
35 Dynamic Drive  
Scarborough, Ontario M1V 4Z9

Honeywell GmbH  
Böblinger Straße 17  
D-71101 Schönaich

customer.honeywell.com

© U.S. Registered Trademark  
© 2006 Honeywell International Inc.  
MU1B-0314GE51 R0606B  
62-0224—1 J.I. Rev. 06-06



Printed in U.S.A. on recycled paper containing at least 10% post-consumer paper fibers.

By using this Honeywell literature, you agree that Honeywell will have no liability for any damages arising out of your use or modification to, the literature. You will defend and indemnify Honeywell, its affiliates and subsidiaries, from and against any liability, cost, or damages, including attorneys' fees, arising out of, or resulting from, any modification to the literature by you.

# Honeywell